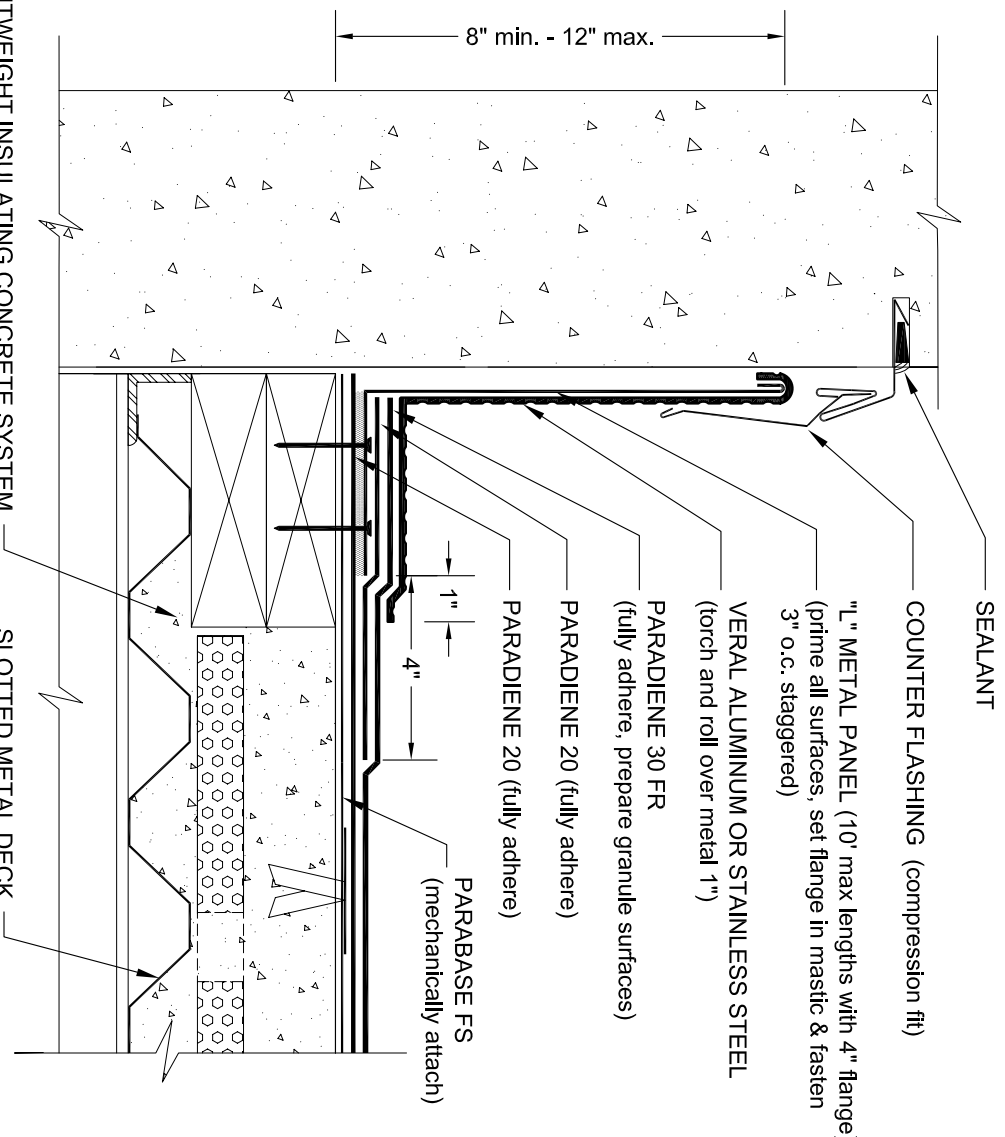
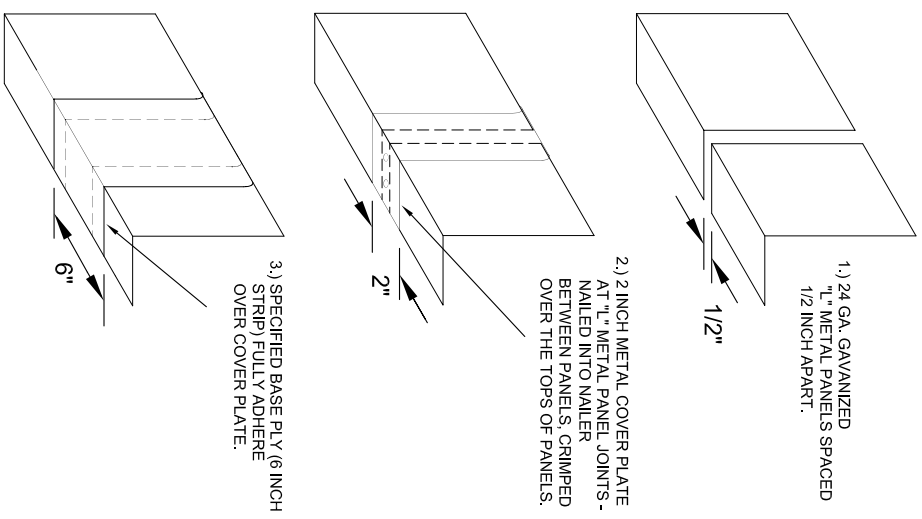


# PARAPET (non-wall supported deck)



## L-METAL INSTALLATION JOINT TREATMENT



- NOTES:
1. PA-1021 PLASTIC CEMENT AND PA-1125 OR PA-917 US PRIMER ARE REQUIRED WHERE MASTIC AND PRIMER ARE INDICATED.
  2. PREPARE GRANULE SURFACES UNDER VERAL FLASHING BY TORCH PREPARATION.
  3. THE CARPENTRY AND METAL WORK SHOWN DEPICT SHOP FABRICATION AND JOB-SITE ASSEMBLY. THESE COMPONENTS SHOULD BE DESIGNED/FABRICATED/INSTALLED ACCORDING TO GENERALLY ACCEPTED INDUSTRY PRACTICES, STANDARDS, AND APPROVALS.
  4. DISSIMILAR METAL TYPES SUBJECT TO ELECTROLYTIC REACTION SHOULD BE PHYSICALLY SEPARATED.
  5. REQUIREMENTS AND RECOMMENDATIONS DETAILED IN SIPLAST SPECIFICATIONS SHALL APPLY IN ADDITION TO THE ABOVE DRAWING.

CAUTION: SIPLAST RECOMMENDS THAT ALL PRACTICES PERTAINING TO NRCA CERTA GUIDELINES BE FOLLOWED WHEN TORCHING METHODS ARE EMPLOYED. THIS INCLUDES PERFORMING A FIRE WATCH FOLLOWING ANY TORCH APPLICATIONS. ALWAYS HAVE APPROVED FIRE-EXTINGUISHING EQUIPMENT NEARBY.

N.T.S.



Siplast - 1000 East Rochelle Boulevard - Irving, Texas - 75062-3940  
 (800) 922-8800 FAX: (469) 995-2206 www.siplast.com

Ref. #: 2031zbw2  
 Date: 10.23.08